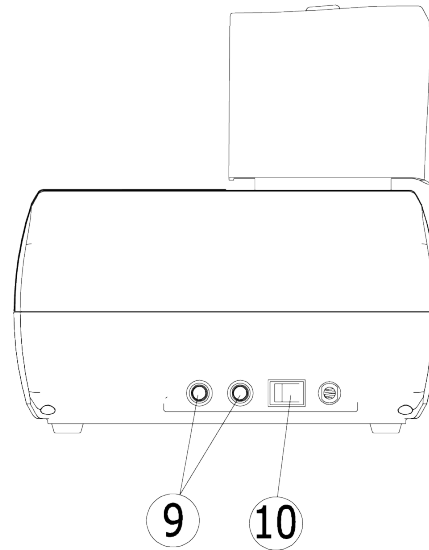
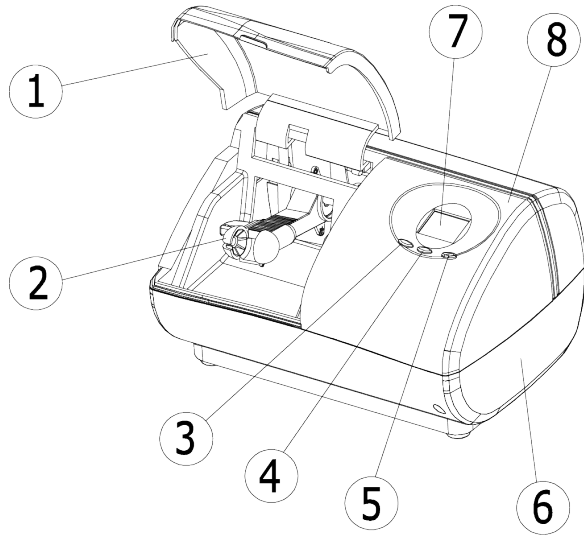


TPC

D650 Parts List



DentalDeal

No.	Description	Part Number
1	Door	D650N-DCV
2	Capsule Arm	D650N-CPARM
3	Time up	D650N-TDB
4	Time Down	D650N-TUB
5	Start Button	D650N-SB
6	Bottom Cover	D650N-BCVR
7	Display PCB	D650N-DPCB
8	Top Cover	D650N-TCVR
9	Fuse Holder	D650N-FH
10	Power Switch	D650N-PSW

TPC 851 S. Lawson St. City of Industry, CA 91748