

DentalDeal

**AIXIN MEDICAL
USER MANUAL**

*AX-2008
Duplicating Machine*

DESCRIPTION:

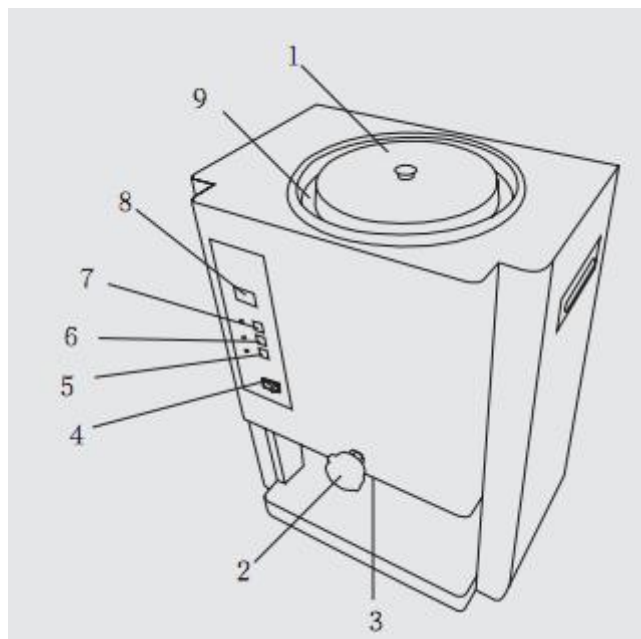
This duplicating machine is used for melting and mixing duplicating gel in dental labs, it is essential equipment for duplicating molds in the casting process. This machine is developed with the assistance of Spanish technicians, it is the most advanced duplicating machine in the world at the moment. It features computerized digital control, and its biggest advantage is the water heating system which ensures homogeneous heating of the duplicating gel. It can also avoid over-burning. The big contact surface between the water and the tank allows the duplicating gel to be heated evenly. It has excellent warm keeping efficiency at lower temperatures owing to the high thermal capacity of water, and the self-adapting mixing blades enable the gel to be mixed more thoroughly and efficiently. The warming keeping design of the gel outlet helps the gel to come out more smoothly.

SPECIFICATIONS:

Voltage	220V / 110V 50HZ / 60HZ $\pm 10\%$
Motor rotational speed	40rpm
Heating power	800W x2
Amount of duplicating gel	3kg-5kg
Weight	31kg
Dimensions	44x36x61(cm)

DIAGRAM:

1. Lid
2. Outlet valve
3. Outlet
4. Power switch
5. Timer button
6. Heat preservation button
7. Heat button
8. Temperature indicator
9. Water storage tank



INSTRUCTIONS:

1. Unpack the package and check if all the accessories are inside. Read this user manual carefully before operating the machine.
2. Connect the machine to an electric outlet, the power indicator should be on. Turn on the power, the temperature indicator shows the current temperature in the tank. If there is not enough water in the water tank, the low water alarm will be turned on.
3. To add water, first open the lid, fill in the water tank with water. The water level should be below the water mark, do not add too much water, otherwise water will overflow when being heated. Do NOT use the machine if there is no water in the water tank. If the water level is below the water level sensor, the alarm can be heard, and the machine will not start heating. the water level sensor is in the water tank, 10cm below the water tank opening. Please do not add distilled water, because it does not conduct electricity, therefore the machine will not start working.
4. To add duplicating gel, first open the inner lid, then put duplicating gel into the tank (cut the gel into small pieces of 1cm³).
5. Heat and Keep Warm: press Heat/Stop button, the Heat indicator lights up, and the machines starts to heat. The temperature will rise to the max. temperature and then lower to the keep warm temperature. After it reaches the keep warm temperature, the Heat indicator goes off, Heat Preservation indicator lights up. And the mix will start and stop according to the temperature. While the machine is heating, press this button to stop heating, and the Heat indicator goes off.
6. Manual Keep Warm: press the Heat Preservation button at any time, the Heat Preservation indicator lights up, the machine start to keep warm. Press this button again to exit the Heat Preservation.
7. Outlet: rotation the valve to allow gel to come out from the outlet. If there is solidified gel which blocks the outlet, please remove them.

CAUTIONS:

1. This machine is an electrical heating equipment, the duplicating gel can get very hot. Use it with care and avoid being burned.
2. Only the Heat/Stop button is necessary for the whole working process.
3. Users should read the diagram and learn the functions of each button before operating.
4. If there is duplicating gel left in the tank which is hardened, do NOT start mixing. Users should take out the gel and cut them into small pieces before turning on the machine. Small amount of water can be added.
5. Before turning on the machine, make sure there is water in the water tank. Do NOT start the heating process when there is no water in the tank, otherwise the motor may be burnt. If the water level is lower than the water level sensor, the machine will not start heating. After some time, the sensor may be dirty, please wipe it clean. The sensor should be a stainless steel column with 5mm diameter which is fixed on the outer wall of the tank, it is between the inner and outer tank, the two sensors are positioned at 10cm and 25cm below the opening of the tank.
6. Users can adjust the maximum temperature and keep warm temperature for different type of duplicating gel. Adjust the temperatures using the invisible button on the panel, it is located to the lower left corner of the third button, between the two colors on the front panel.
 - 1) Press the adjust button, and the 3 indicators light up, and it enters the adjust mode.
 - 2) The display shows the maximum temperature (89 °C)
 - 3) Press the adjust button again, the display shows the keep warm temperature (49°C), press it again to show the heating time for the keep warm mode.
 - 4) Press the adjust button to show these 3 numbers continuously.
 - 5) In the adjust mode:
 - a) press the first button to adjust the maximum temperature: 85-99°C (preset 99°C), press it once to increase 1°C, the values will go on among 85°C and 99°C.
 - b) press the second button to adjust the keep warm temperature: 38-85°C (preset 53°C)
 - c) press the third button to start the mixer and fan, press it again to stop them.
 - 6) Press the Stop button over 5s to exit the adjust mode. The adjusted values will be stored into its memory.

- 7) If the machine do not heat or keep warm properly, please check the maximum temperature and keep warm temperature.
- 8) There is a metal button on the left side of the machine which is for testing. If there is water inside the water tank, but cannot start heating, press this button to check if the machine can produce heat. If there is heat, the problem may be caused by the water level sensor, which may be rust. Wipe it to eliminate the problem.
- 9) The heat indicator is besides the two heating tube inside the casing. If the heating tubes are working, the indicators lights up.

ACCESSORIES:

User manual	1 PC
Power cord	1 PC
Fuse tube (15A)	2 PC