

**DentalDeal**

**AIXIN MEDICAL  
USER MANUAL**

*AX-2006  
Duplicating Machine*

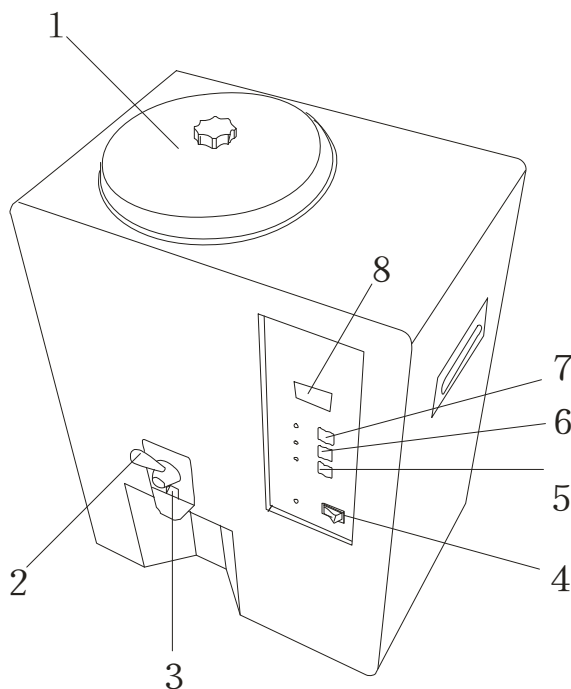
## Description:

The AX-2006 Duplicating Machine is used for melting and mixing duplicating gel in dental labs for mold making. This machine is upgraded from the AX-2002 Duplicating Machine, the digital controlling system makes operations much more easier.

## Specifications:

Voltage	AC 220V / 110V 50Hz / 60HZ ±10%
Rotational speed	40rpm
Power	800W
Volume	3L-5L
Dimensions	37×29×52 (cm)

## Diagram:



### Lid

1. Get outlet switch
2. Gel outlet
3. Power
4. Mix button
5. Heat preservation button
6. Heat button
7. Temperature

## Instructions:

1. Unpack the package and check if all the accessories are included. Read the user manual carefully before operating the machine.
2. Put 3kg or more duplicating gel into the tank (make sure the gel are cut into small pieces of about 1cm).
3. Connect the plug to the electric outlet, the power indicator lights up.
4. Turn on the power, the temperature indicator shows the temperature inside the tank. Press the Heat button, the heat indicator lights up, and the machine starts heating. The temperature rises to 88°C, then the heat preservation starts. The heat indicator goes off and the heat preservation indicator lights up. After that, the temperature lowers and stays at 48°C-59°C. The machine starts to mix at medium speed when the temperature is at 28°C-59°C, and starts to mix at full speed when the temperature is above 60°C.
5. When the machine is not in use, turn off the power and remove the plug from the outlet.
6. Press the Heat Preservation button at any time to stop heating and starts heat preservation. Press this button again to stop heat preservation.
7. Press the Mix button while the Heat and Heat preservation button are not pressed to test the motor.
8. Turn on the gel outlet switch to use the duplicating gel.
9. Before operating the machine, please check if there is gel left inside the tank and remove them from the tank with a spoon.

## Cautions:

1. This is an electric heating device, the duplicating gel can be very hot. Use it carefully to avoid burns.
2. Users should study the diagram and function of each button before operating.
3. A maximum of 3kg of duplicating gel can be added to the machine. The machine should not be started when there is no duplicating gel inside the tank.
4. Do not start mixing if there is solid duplicating gel inside the tank. The gel should be removed from the tank and cut into pieces before being used again. When more than 50% of the gel is melted, the mixer can be started, otherwise the motor may be burnt.
5. Check the maximum temperature before restarting the machine.

## Accessories:

User manual	1 PCS
Power cord	1 PCS
Fuse tube (5A)	2 PCS